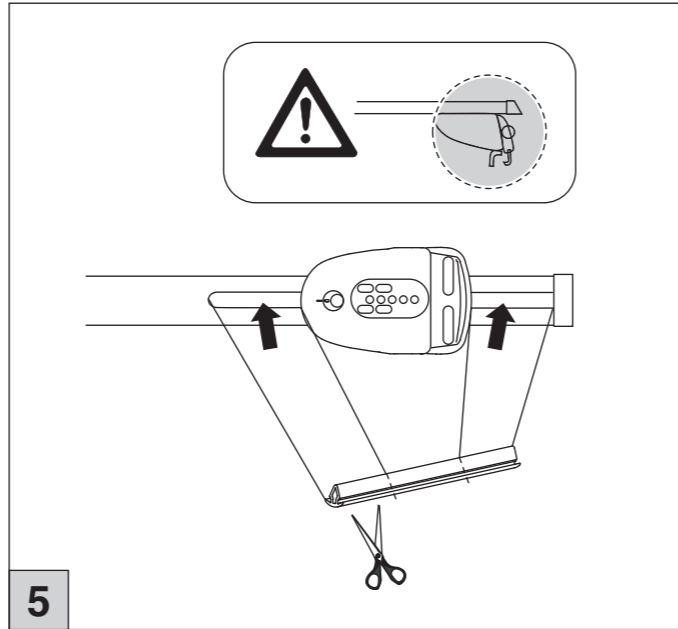
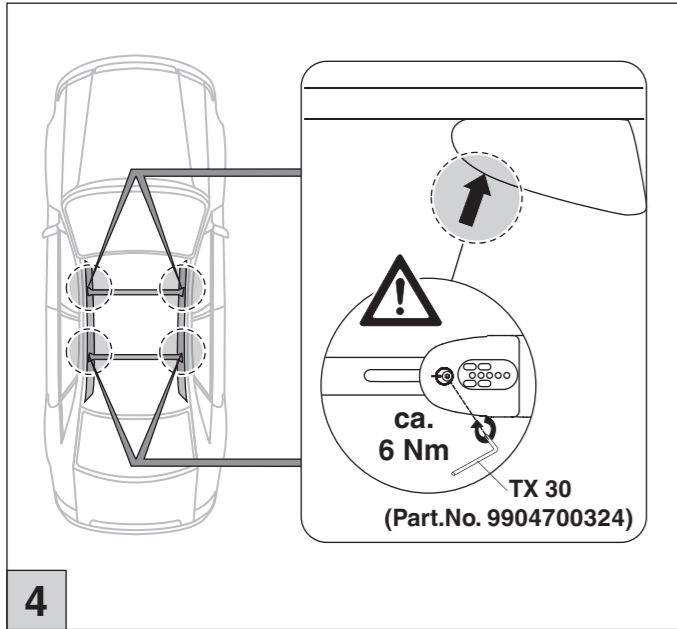


Atera SIGNO

Citroën
Berlingo Reling 09/2018–



nur bei Art.Nr.: 047 366
only for part no.: 047 366

A- 9919700163
B- 9945700224
C1- 8828700062
C2- 8828700063

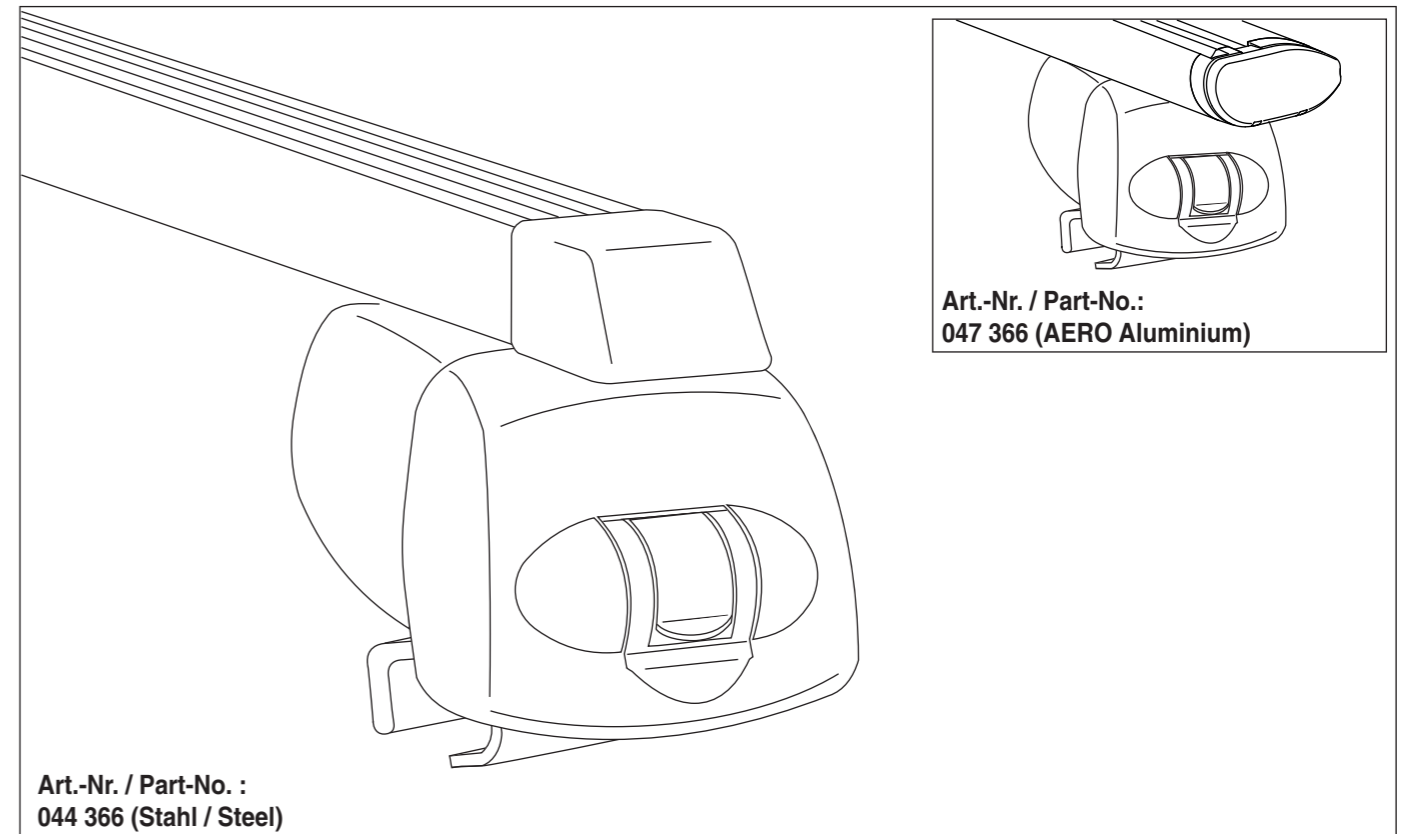
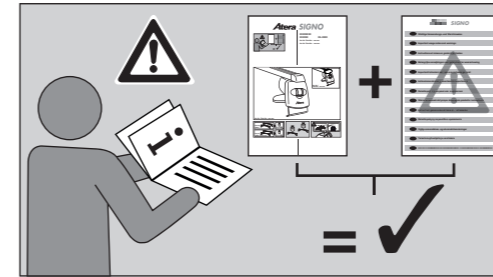
1- 9945700093
2- 9919700062
3- 9945700105
4- 9912700051
5a- 9918700526
5b- 9918700527
6- 9923700009
7- 9918700250
8- 9918700249
9- 9904700466
10- 9912700086
11- 9910700004
12- 9908700231
13- 9908700209
14- 9918700228
15- 9918700246
16- 9917700010
17- 9918700588
18- 9918700245
19- 9910700004
20- 9908700375
21- 9918700247
22a- 9949701857
22b- 9949701857
22c- 9949701857
22d- 9949701857

8830700387
9904700324

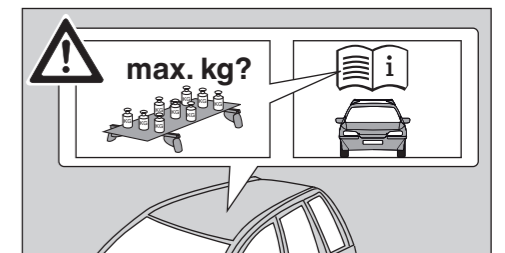
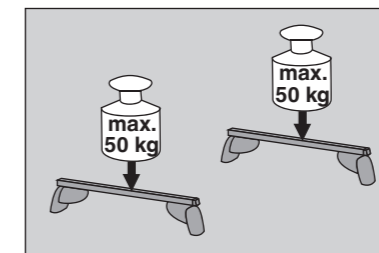
Atera SIGNO

Citroën
Berlingo 09/2018–
(mit Reling / with rail / avec rails de toit)

Art.-Nr. / Part-No.: 044 366
Art.-Nr. / Part-No.: 047 366



044 366 (Stahl) (Steel)		5,0 kg
047 366 (AERO Aluminium)		4,5 kg



Atera
MADE IN GERMANY

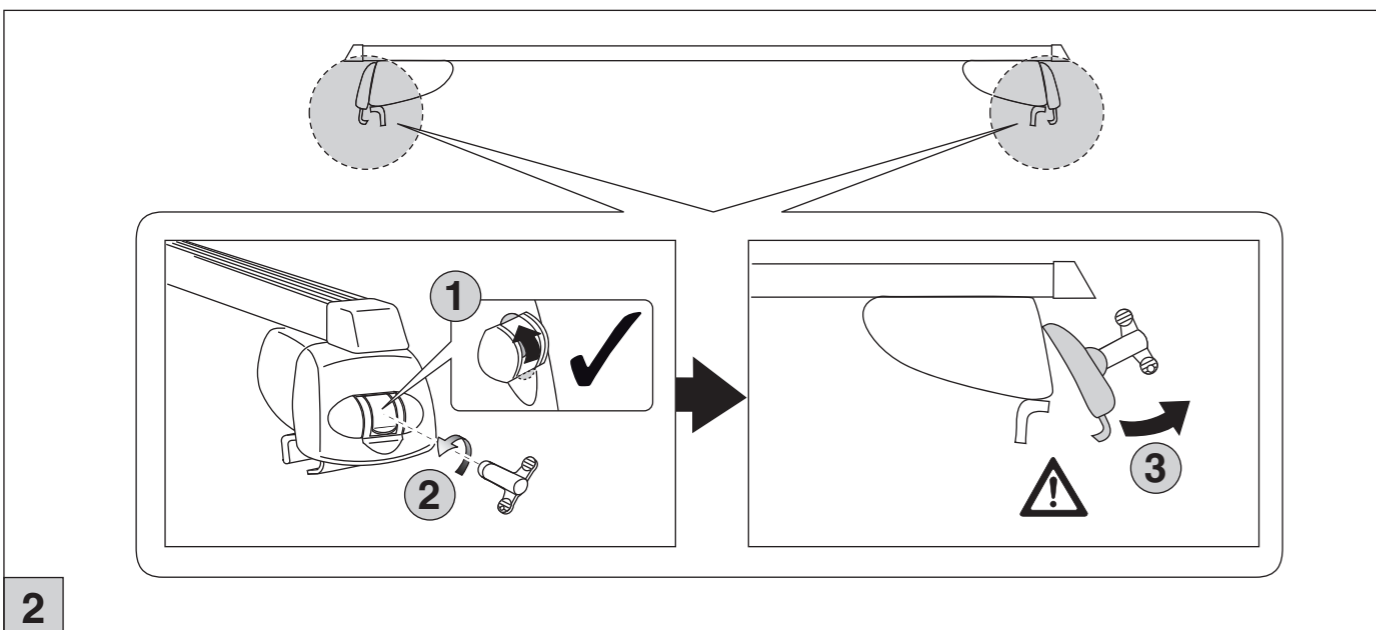
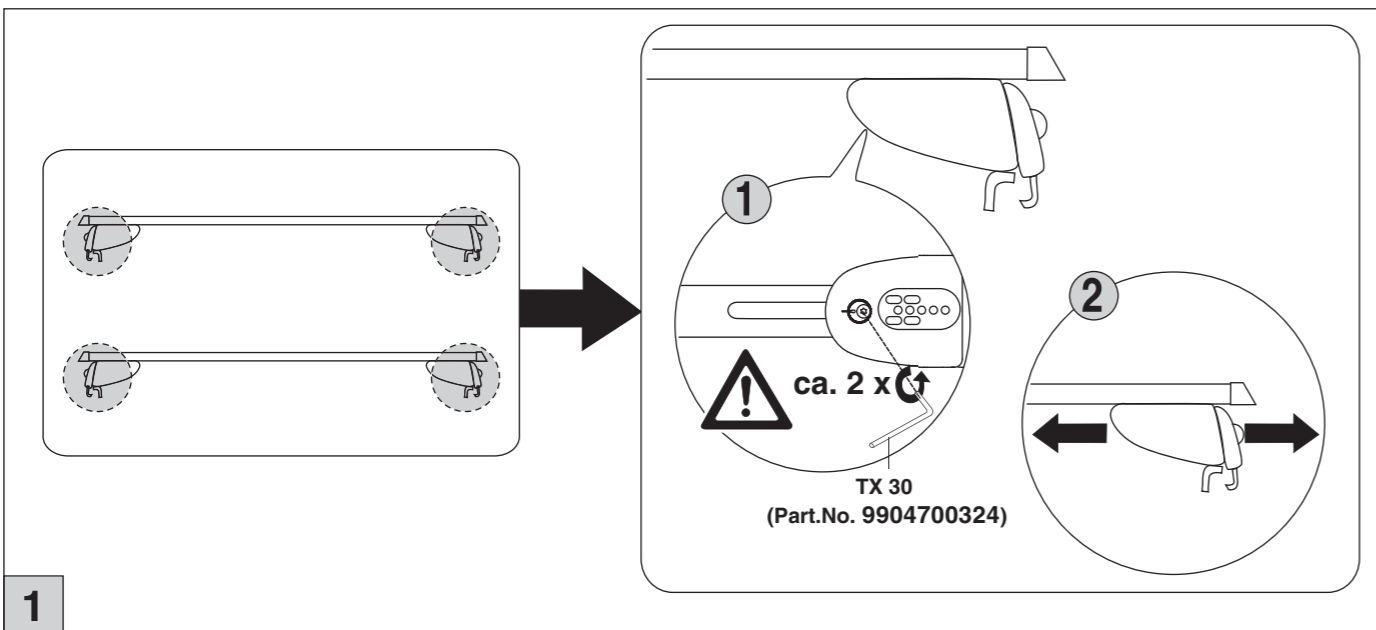
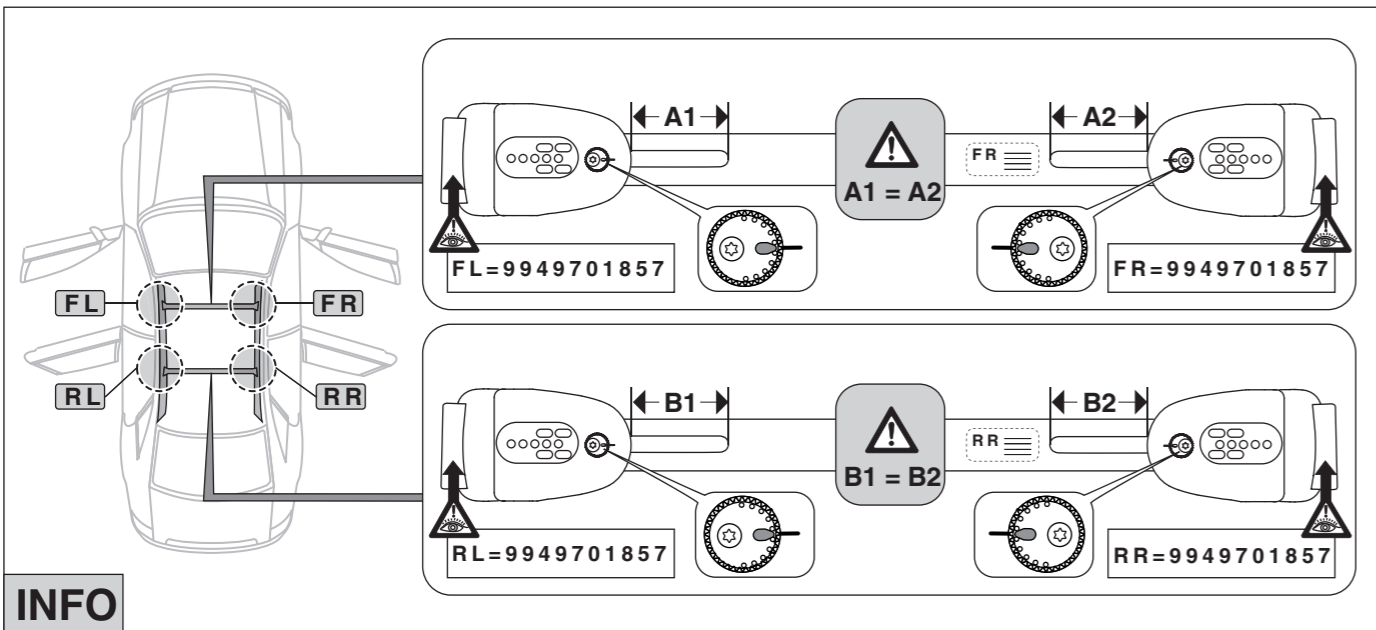
Atera GmbH
Im Herrach 1
D-88299 Leutkirch
Internet: www.atera.de



© ATERA GmbH
Ref.-Nr.: 044 366_096594436600_992570050200
Ref.-Nr.: 047 366_096594736600_992570050200
Stand/State: 04/06/2019 – Rev 00 Ver 00

Atera SIGNO

Citroën
Berlingo Reling 09/2018–



Atera SIGNO

Citroën
Berlingo Reling 09/2018–

